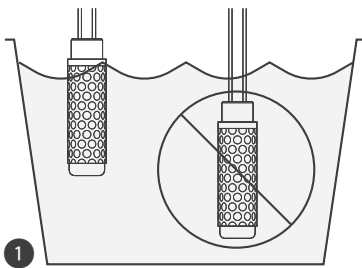


INSTRUCTION CARD

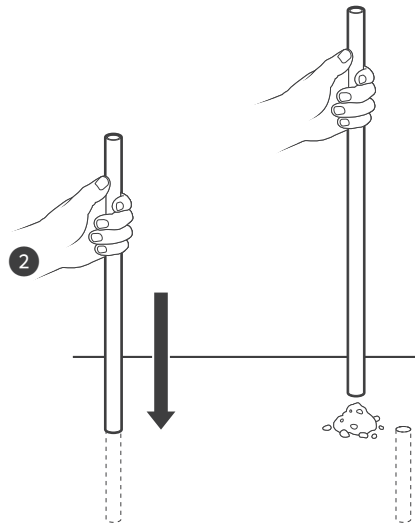
SOIL-CLIK® PROBE FOR SOIL-CLIK MODULE AND NODE-BT

Installing the Soil-Clik Probe

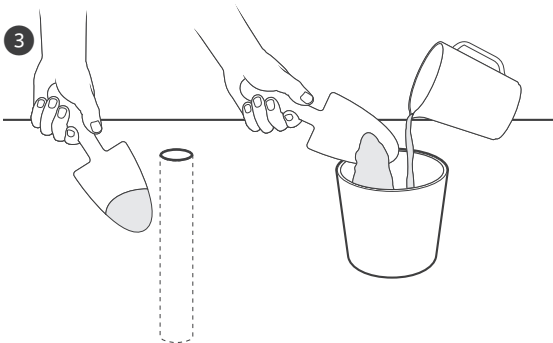
1. Soak lower two-thirds of probe for 30 minutes before installing.
Do not allow water to cover the top cap where wires are connected.



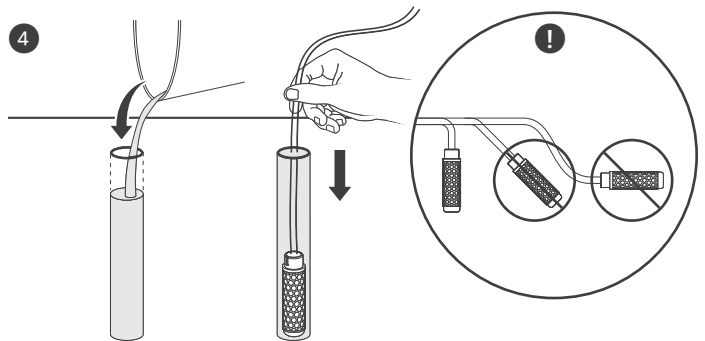
2. Use ½" (12 mm) PVC pipe to make a vertical hole to desired depth in the soil (outside diameter ⅞" (22 mm)).



3. Mix a slurry of native soil and water, and pour into the hole.



4. Place sensor in vertical position (do not tilt more than 45°) at bottom of hole.



! Do not install probe horizontally.

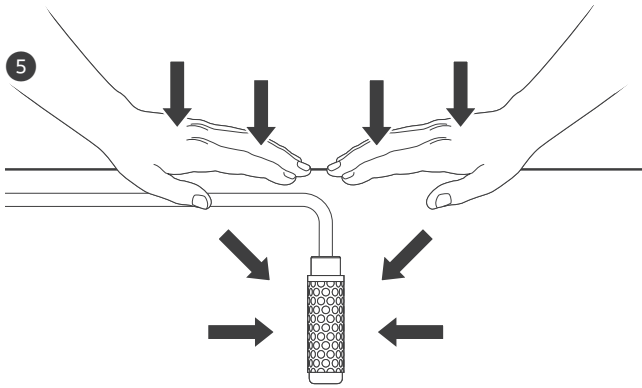


Installation information:

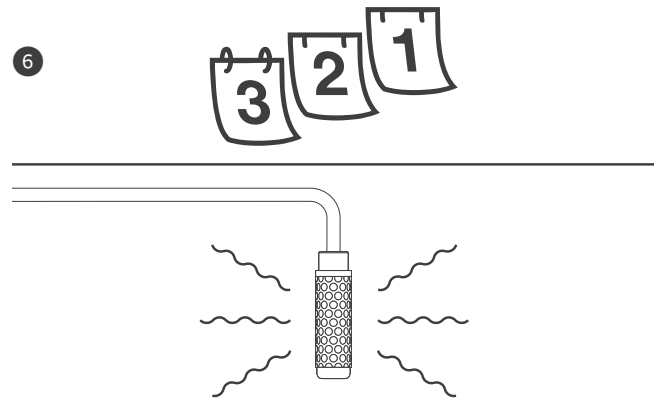
Visit hunter.direct/soilclik for complete setup information.

Installing the Soil-Clik Probe (continued)

5. Pack native soil tightly around probe. Soil must be in full contact with probe.

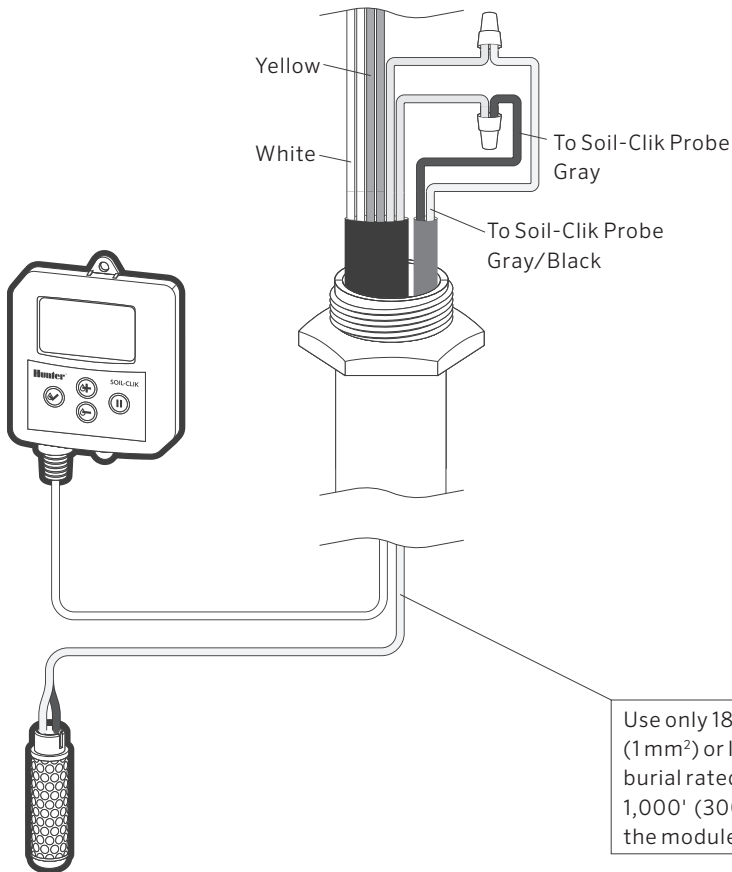


6. Allow the probe to acclimate for two to three days and water normally before proceeding to sensor-based irrigation.



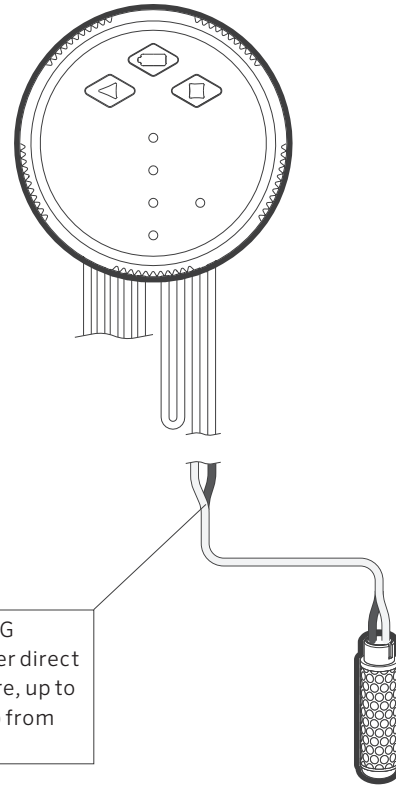
Connecting the Probe to the Soil-Clik Module

Connect the gray/black probe wires to the two gray Soil-Clik module wires with waterproof connections (polarity is not important in this system).



Connecting the Probe to NODE-BT

Cut the clear waterproof seal on the gray two wires connected to the controller. Connect the gray/black probe wires to the two gray NODE-BT wires with waterproof connections (polarity is not important in this system). The Soil-Clik module is not used with NODE-BT installations.



! Avoid high-voltage lines and other sources of electrical interference.

hunter.direct/soilclik