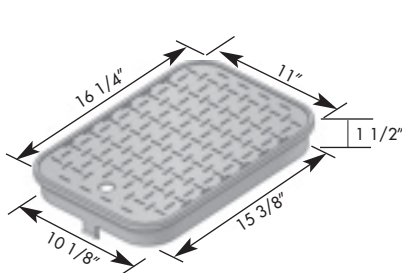


NDS D1200 Meter Boxes

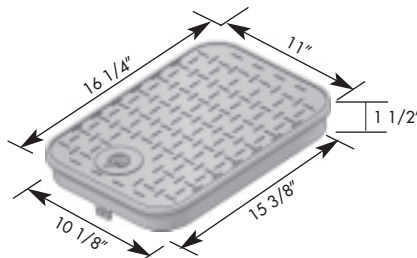
NDS WATER METER BOXES AND COVERS

Standard Commercial Grade

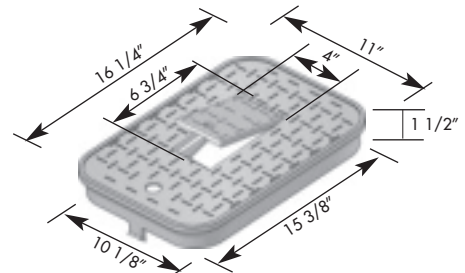
The NDS D1200 body shall be tapered and have a minimum wall thickness of .25". The body shall have a double wall at the top cover seat area with a minimum thickness of .187". The cover seat area shall have 30 structural support ribs on the underside of the seat, each with a minimum thickness of 3/16". The bottom of the body shall have a 1" flange. The D1200 cover shall have a minimum thickness of .250". NDS D1200 meter boxes and covers are injection molded of structural foam recycled polypropylene material with a melt index between 10-12. Coloring and UV stabilizers are added, along with processing lubricants when needed.



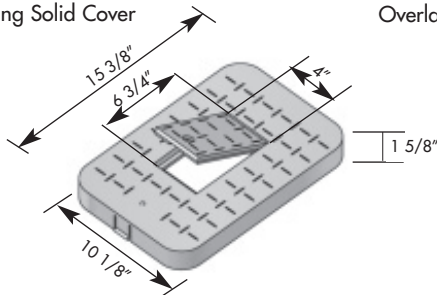
Overlapping Solid Cover



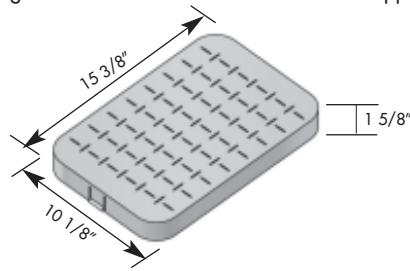
Overlapping Locking Cover



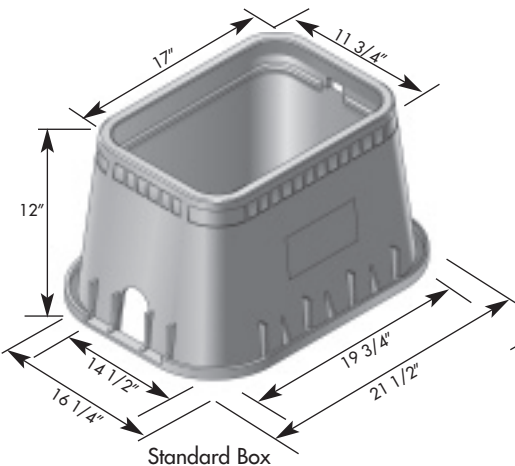
Overlapping Reader Cover



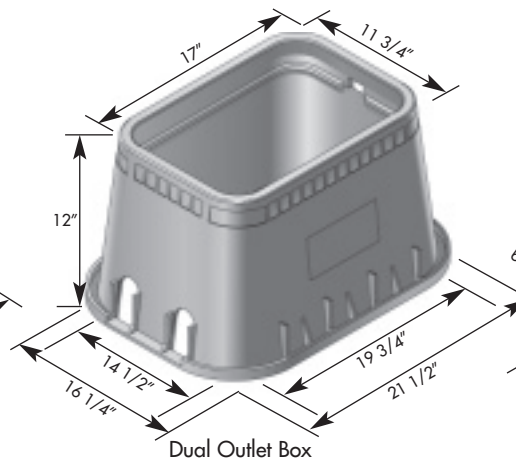
Drop In Reader Cover



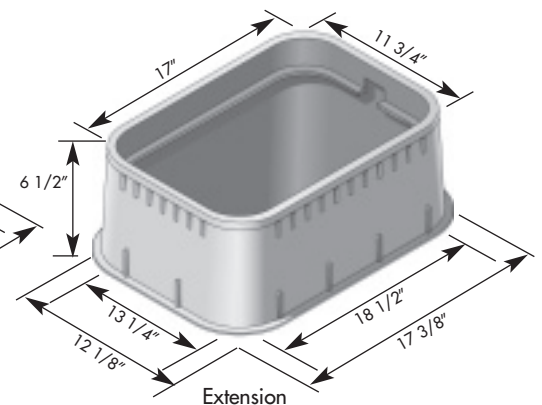
Drop In Solid Cover



Standard Box



Dual Outlet Box



Extension

Product is not to be installed in concrete and is not to be used in vehicular applications. Weights and dimensions are nominal.