

10S EASY SELECTION CHART

10 GPM

SELECTION CHARTS

FLOW RANGE

PUMP OUTLET

(Ratings are in GALLONS PER MINUTE-GPM)

(5 TO 14 GPM)

1 1/4" NPT

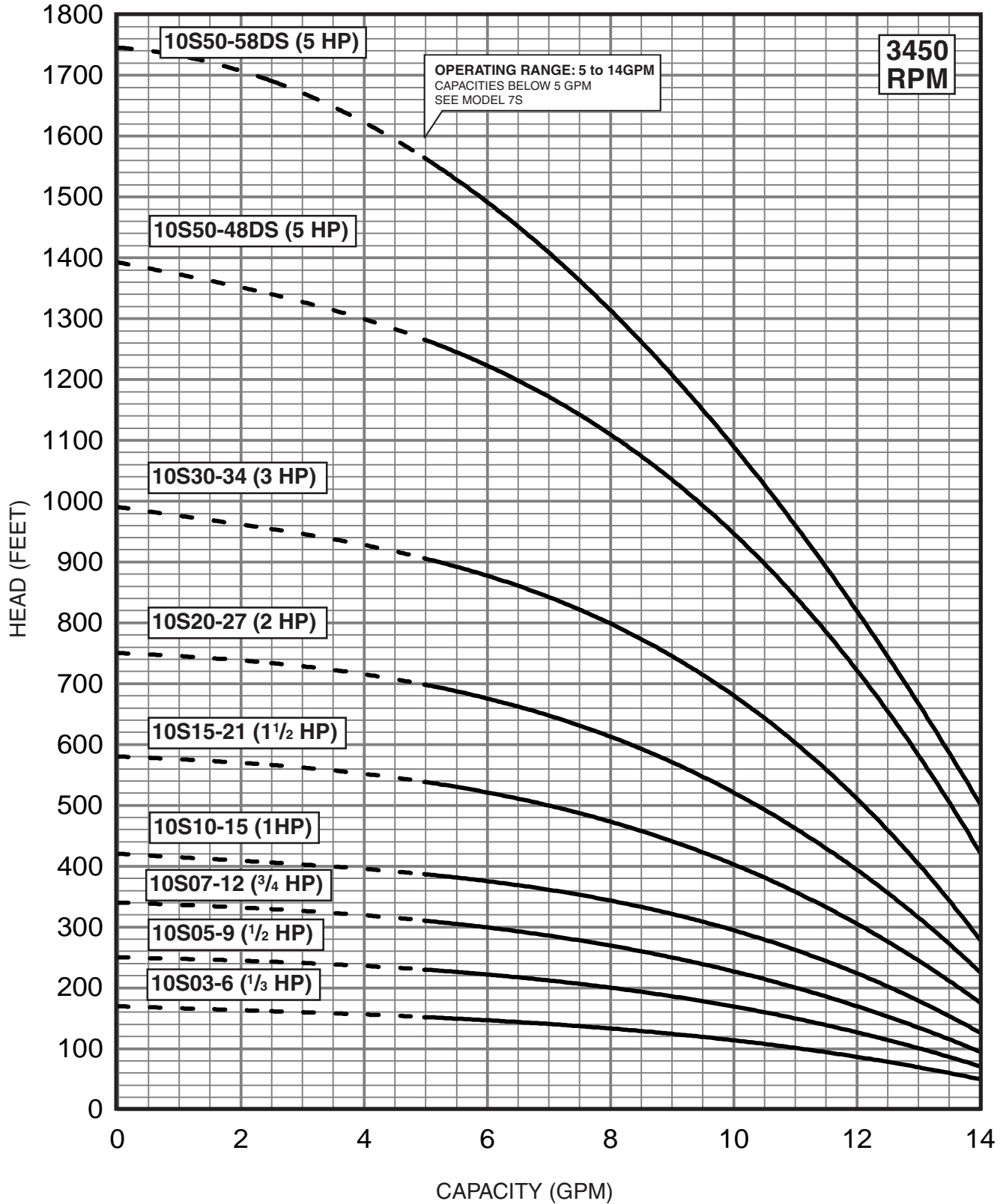
		DEPTH TO PUMPING WATER LEVEL (LIFT) IN FEET																											
PUMP MODEL	HP	PSI	20	40	60	80	100	120	140	160	180	200	220	240	260	280	300	340	400	460	520	600	700	800	900	1000	1100		
10S03-6	1/3	20	14.0	13.2	12.4	10.6	8.9	5.3																					
		30	13.2	11.8	10.4	8.4																							
		40	11.9	10.1	8.3																								
		50	9.8	7.5																									
		60	7.7	3.9																									
SHUT-OFF PSI:			64	55	47	38	29	21	12	3																			
10S05-9	1/2	0				14.1	13.4	12.4	11.4	10.4	9.5	8.3	6.6	3.5															
		20		13.9	13.1	12.1	11.1	10.1	9.2	7.9	5.8	2.0																	
		30	13.8	13.0	12.0	11.0	10.0	9.0	7.6	5.3	1.2																		
		40	12.8	11.8	10.8	9.8	8.8	7.3	4.8																				
		50	11.7	10.7	9.7	8.6	7.0	4.3																					
SHUT-OFF PSI:			100	92	83	74	66	57	48	40	31	23	14	5															
10S07-12	3/4	0				14.3	13.8	13.2	12.5	11.7	11.0	10.2	9.5	8.7	7.6	6.0													
		20		14.2	13.6	12.9	12.2	11.5	10.7	10.0	9.3	8.4	7.2	5.4	2.6														
		30		14.1	13.5	12.9	12.1	11.4	10.6	9.9	9.2	8.2	7.0	5.0	2.0														
		40	14.0	13.4	12.8	12.0	11.3	10.5	9.8	9.0	8.1	6.7	4.7	1.4															
		50	13.3	12.6	11.9	11.1	10.4	9.7	8.9	7.9	6.5	4.2																	
SHUT-OFF PSI:			137	129	120	111	103	94	85	77	68	59	51	42	33	25	16												
10S10-15	1	0						14.1	13.6	13.1	12.5	11.9	11.3	10.7	10.1	9.6	8.2	3.8											
		20				13.9	13.5	12.9	12.3	11.7	11.1	10.5	10.0	9.4	8.7	7.9	5.2												
		30				13.9	13.4	12.8	12.2	11.6	11.0	10.5	9.9	9.3	8.6	7.7	6.6	2.6											
		40		14.2	13.8	13.3	12.7	12.1	11.5	10.9	10.4	9.8	9.2	8.5	7.6	6.3	4.6												
		50	14.1	13.7	13.2	12.6	12.1	11.4	10.9	10.3	9.7	9.1	8.3	7.4	6.1	4.3	1.7												
SHUT-OFF PSI:			174	165	157	148	139	131	122	113	105	96	87	79	70	61	53	35	10										
10S15-21	1 1/2	0								14.2	13.9	13.6	13.3	12.9	12.5	12.0	11.2	9.9	8.5	6.3									
		20						14.1	13.9	13.5	13.1	12.7	12.3	11.9	11.5	11.0	10.2	8.9	6.9	2.9									
		30					14.1	13.8	13.5	13.1	12.7	12.3	11.8	11.4	11.0	10.5	9.7	8.3	5.7										
		40				14.1	13.8	13.4	13.0	12.6	12.2	11.8	11.3	10.9	10.5	10.1	9.2	7.5	4.1										
		50			14.0	13.7	13.3	13.0	12.5	12.1	11.7	11.3	10.8	10.4	10.0	9.6	8.7	6.5	2.0										
SHUT-OFF PSI:			237	229	220	211	203	194	185	177	168	159	151	142	133	125	107	81	55	29									
10S20-27	2	0										14.1	13.9	13.7	13.4	12.8	11.8	10.8	9.8	8.3	4.7								
		20									14.1	13.8	13.6	13.3	13.0	12.7	12.0	11.0	10.0	9.0	7.1	1.5							
		30								14.0	13.8	13.5	13.3	12.9	12.6	12.3	11.6	10.6	9.7	8.6	6.2								
		40					14.2	14.0	13.8	13.5	13.2	12.9	12.6	12.2	11.9	11.2	10.3	9.3	8.1	5.2									
		50				14.2	14.0	13.7	13.5	13.2	12.8	12.5	12.2	11.9	11.5	10.9	9.9	8.9	7.4	3.8									
SHUT-OFF PSI:					285	276	268	259	250	242	233	224	216	207	198	181	155	129	103	68	25								
10S30-34	3	0														13.8	13.2	12.5	11.9	10.9	9.6	7.9	4.8						
		20													13.9	13.7	13.3	12.7	12.0	11.3	10.3	8.9	6.7	2.7					
		30												13.9	13.7	13.5	13.1	12.4	11.7	11.0	10.0	8.5	6.0	1.3					
		40										14.0	13.8	13.7	13.5	13.3	12.8	12.2	11.5	10.8	9.7	8.0	5.1						
		50									14.0	13.8	13.6	13.4	13.2	13.0	12.6	11.9	11.2	10.5	9.4	7.5	4.2						
SHUT-OFF PSI:										332	324	315	306	298	289	272	246	220	194	159	116	73	29						

See 10S performance curves for higher head models.
SPECIFICATIONS SUBJECT TO CHANGE WITHOUT NOTICE.

FLOW RANGE: 5 -14 GPM

OUTLET SIZE: 1 1/4 " NPT

NOMINAL DIA. 4"



SPECIFICATIONS SUBJECT TO CHANGE WITHOUT NOTICE.
4" MOTOR STANDARD, 3450 RPM.

Performance conforms to ISO 9906: 1999 (E) Annex A
Minimum submergence is 2 feet.

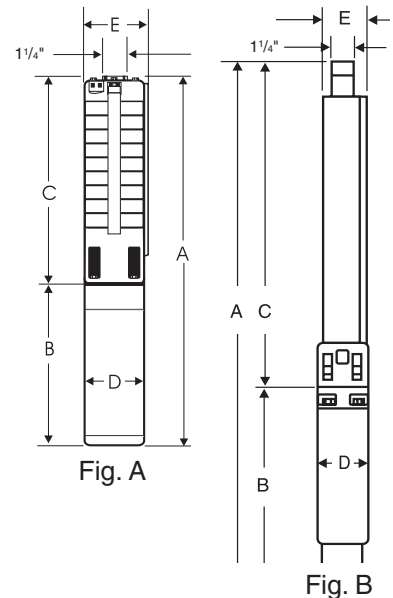
DIMENSIONS AND WEIGHTS

MODEL NO.	FIG.	HP	MOTOR SIZE	DISCH. SIZE	DIMENSIONS IN INCHES					APPROX. SHIP WT.
					A	B	C	D	E	
10S03-6	A	1/3	4"	1 1/4" NPT	19.9	8.8	11.1	3.8	3.9	26
10S05-9	A	1/2	4"	1 1/4" NPT	23.0	9.5	13.5	3.8	3.9	29
10S07-12	A	3/4	4"	1 1/4" NPT	26.7	10.7	16.0	3.8	3.9	32
10S10-15	A	1	4"	1 1/4" NPT	30.3	11.8	18.5	3.8	3.9	34
10S15-21	A	1 1/2	4"	1 1/4" NPT	37.1	13.6	23.5	3.8	3.9	44
10S20-27	A	2	4"	1 1/4" NPT	43.5	15.1	28.4	3.8	3.9	49
10S30-34	A	3	4"	1 1/4" NPT	54.7	20.6	34.1	3.8	3.9	83
10S50-48DS	A	5	4"	1 1/4" NPT	71.3	23.6	47.7	3.8	3.9	115
10S50-58DS*	B	5	4"	1 1/4" MPT	88.2	23.6	64.5	3.8	4.3	142

NOTES: All models suitable for use in 4" wells, unless otherwise noted.

Weights include pump end with motor in lbs.

* Built into sleeve 1 1/4" MPT discharge, 5" min. well dia.



MATERIALS OF CONSTRUCTION

COMPONENT	SPLINED SHAFT (6-27 Stgs.)	CYLINDRICAL SHAFT (34-48 Stgs.)	DEEP SET (58 Stgs.)
Check Valve Housing	304 Stainless Steel	304 Stainless Steel	304 Stainless Steel
Check Valve	304 Stainless Steel	304 Stainless Steel	304 Stainless Steel
Diffuser Chamber	304 Stainless Steel	304 Stainless Steel	304 Stainless Steel
Impeller	304 Stainless Steel	304 Stainless Steel	304 Stainless Steel
Suction Interconnector	304 Stainless Steel	304 Stainless Steel	304 Stainless Steel
Inlet Screen	304 Stainless Steel	304 Stainless Steel	304 Stainless Steel
Pump Shaft	304 Stainless Steel	431 Stainless Steel	431 Stainless Steel
Straps	304 Stainless Steel	304 Stainless Steel	304 Stainless Steel
Cable Guard	304 Stainless Steel	304 Stainless Steel	304 Stainless Steel
Priming Inducer	304 Stainless Steel	304 Stainless Steel	304 Stainless Steel
Coupling	316/431 Stainless Steel	316/431 Stainless Steel	316/431 Stainless Steel
Check Valve Seat	NBR/304 Stainless Steel	NBR/316 Stainless Steel	NBR/316 Stainless Steel
Top Bearing	NBR	NBR/316 Stainless Steel	NBR/316 Stainless Steel
Impeller Seal Ring	NBR/PBT (Valox®)	NBR/PPS (Ryton®)	NBR/PPS (Ryton®)
Intermediate Bearings	NBR	304 Stainless Steel	NBR/316 Stainless Steel
Shaft Washer	Not Required	LCP (Vectra®)	LCP (Vectra®)
Split Cone	Not Required	304 Stainless Steel	304 Stainless Steel
Split Cone Nut	Not Required	316 Stainless Steel	304 Stainless Steel
Sleeve	Not Required	Not Required	316 Stainless Steel
Sleeve Flange	Not Required	Not Required	Zinless Bronze*

NOTES: Specifications subject to change without notice.

Valox® is a registered trademark of General Electric Co.

Vectra® is a registered trademark of Hoechst Calanese Corporation.

Ryton® is a registered trademark of Phillips 66.

* Stainless Steel option available.